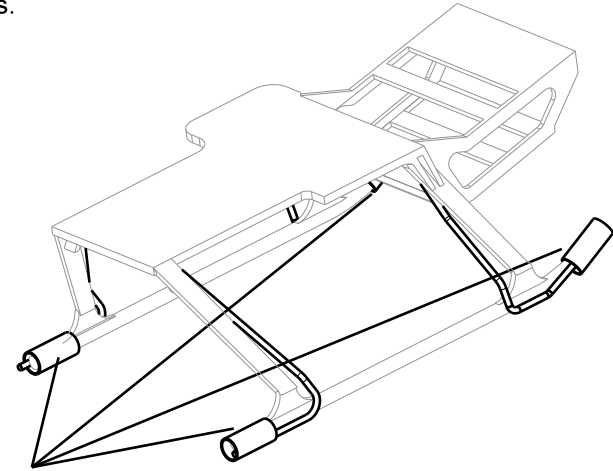
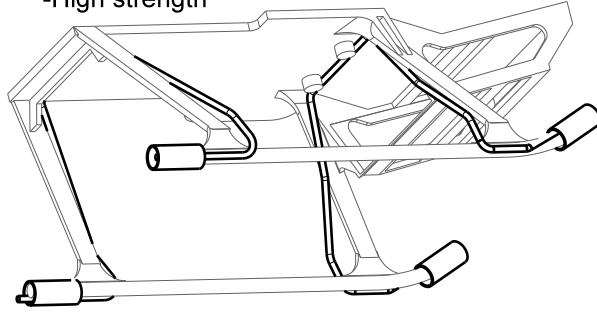


Walkera Genius CP Landing Gear Reinforcement

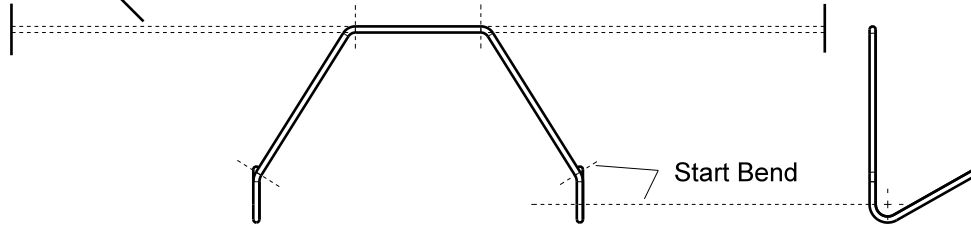
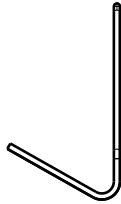
- Interlocking design. Loads transferred to frame thru interlocking points.
- No glue, screws, cutting or modifications.
- No interference with canopy.
- Full access to battery
- High strength



Starting Wire Length

Fasten with shrink wrap at end of wire.

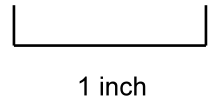
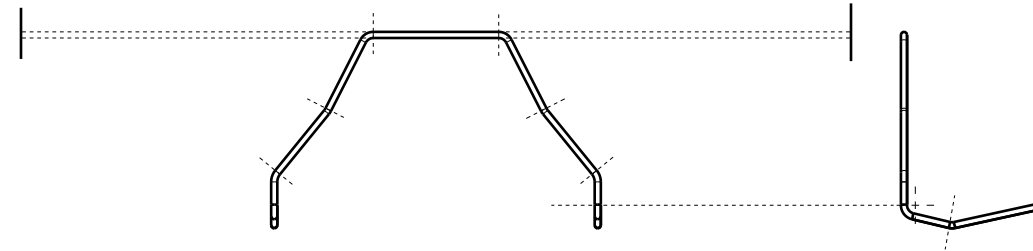
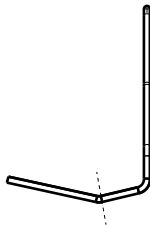
Rear Landing Gear
(.43 grams)



Start Bend

.032 Music Wire

Front Landing Gear
(.45 grams)



1:1 Scale - Bend Wire Over Drawing Above